

ACCESSORI ACCESSORIES BRMT2 - BRMT3

FIG.1
Pict. 1

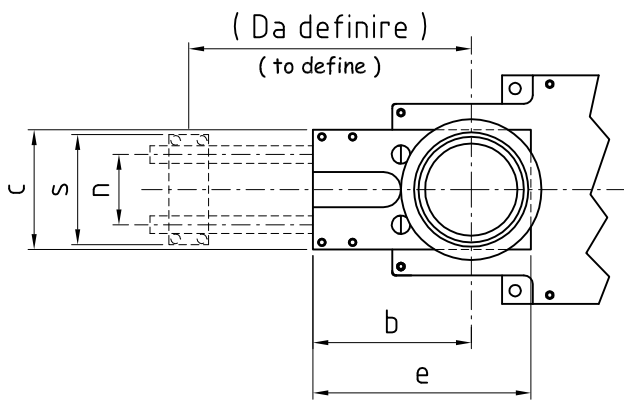
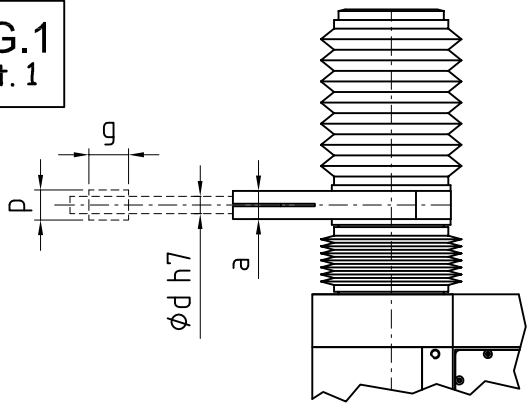
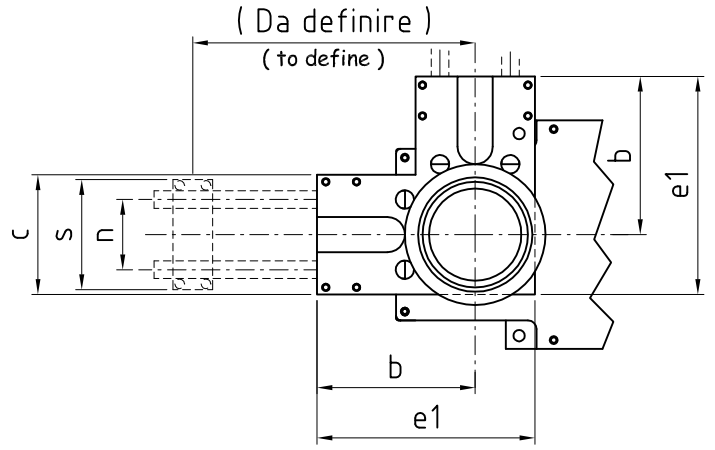
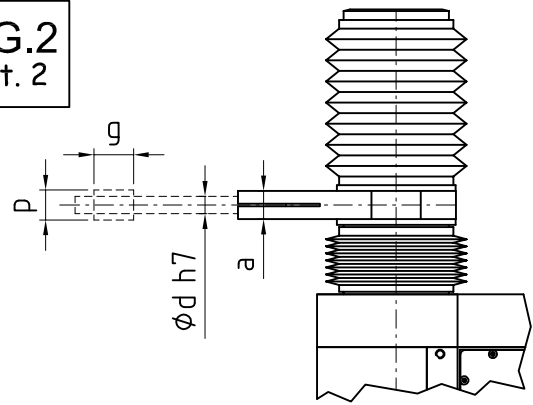


FIG.2
Pict. 2



	a	b	c	Ødh7	e	e1	f	g	n	p	s
BRMT2	36	135	100	15	200	170	270	45	60	22	100
BRMT3	45	180	135	20	250	250	360	45	80	34	125

FIG.3
Pict. 3

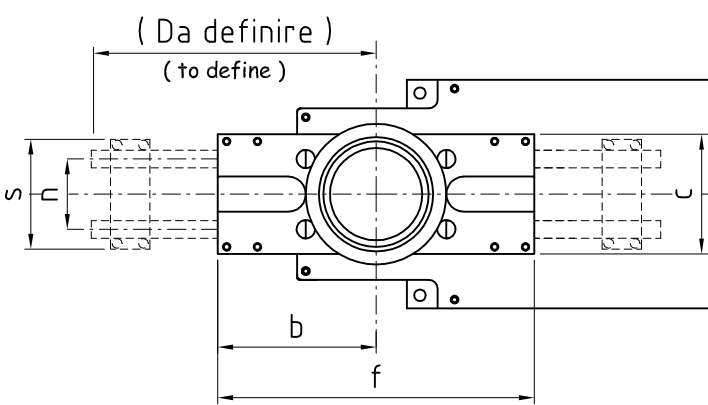
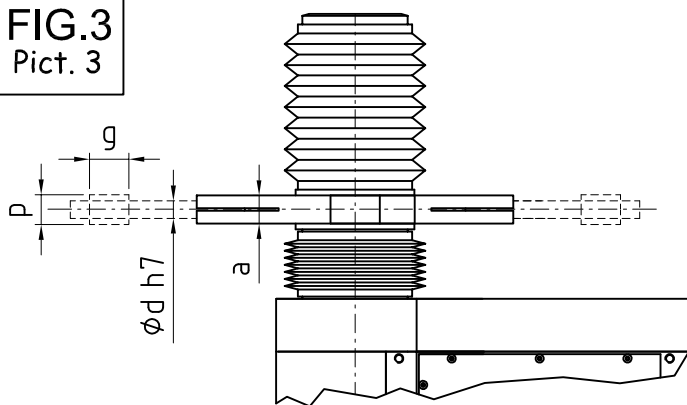


FIG.4
Pict. 4

